

**Red Ribbon Centre Mission:**

To facilitate and enhance the community's response to HIV/AIDS

# Supporting HIV Efforts in our Region

Report of Red Ribbon Centre - UNAIDS Collaborating Centre for Technical Support (1999-2005)



衛生署  
Department of Health



衛生防護中心  
Centre for Health Protection



紅絲帶中心  
Red Ribbon Centre



UNAIDS  
COLLABORATING CENTRE  
聯合獲受命協助技術支援中心  
for Technical Support (衛生署)

# Index

- 3** Historical Background
- 5** Red Ribbon Centre - UNAIDS Collaborating Centre for Technical Support
- 7** Terms of Collaboration and Organisation
- 9** Activity Profile and Programme Framework
- 11** Lions-Red Ribbon Fellowship Scheme
- 13** Consultancies and Official Meetings
- 15** Technical Forums: Workshops and Visits
- 17** Training Courses
- 21** Best Practice Development
- 23** UNAIDS Celebrity Against AIDS
- 25** Hong Kong - Mainland Media Campaign
- 27** Technical Resource Networking
  
- 29** Annex A: Memberships of Red Ribbon Centre Management Advisory Committee
- 30** Annex B: Organisation of Red Ribbon Centre - UNAIDS Collaborating Centre for Technical Support
- 31** Annex C: List of Lions-Red Ribbon Fellows, 1999-2005
- 35** Annex D: Consultancies conducted through the UNAIDS Collaborating Centre for  
Technical Support programme, 1999-2005
- 36** Annex E: Participation in UN meetings, 1999-2005
- 38** Annex F: Workshops for Delegates from Mainland China, 1999-2005
- 39** Annex G: Workshops for Delegates from overseas, 1999-2005
- 39** Annex H: Visits to the Red Ribbon Centre, 1999-2005
- 40** Annex I : Activities of UNAIDS Celebrity Against AIDS Hong Kong , 1999-2005





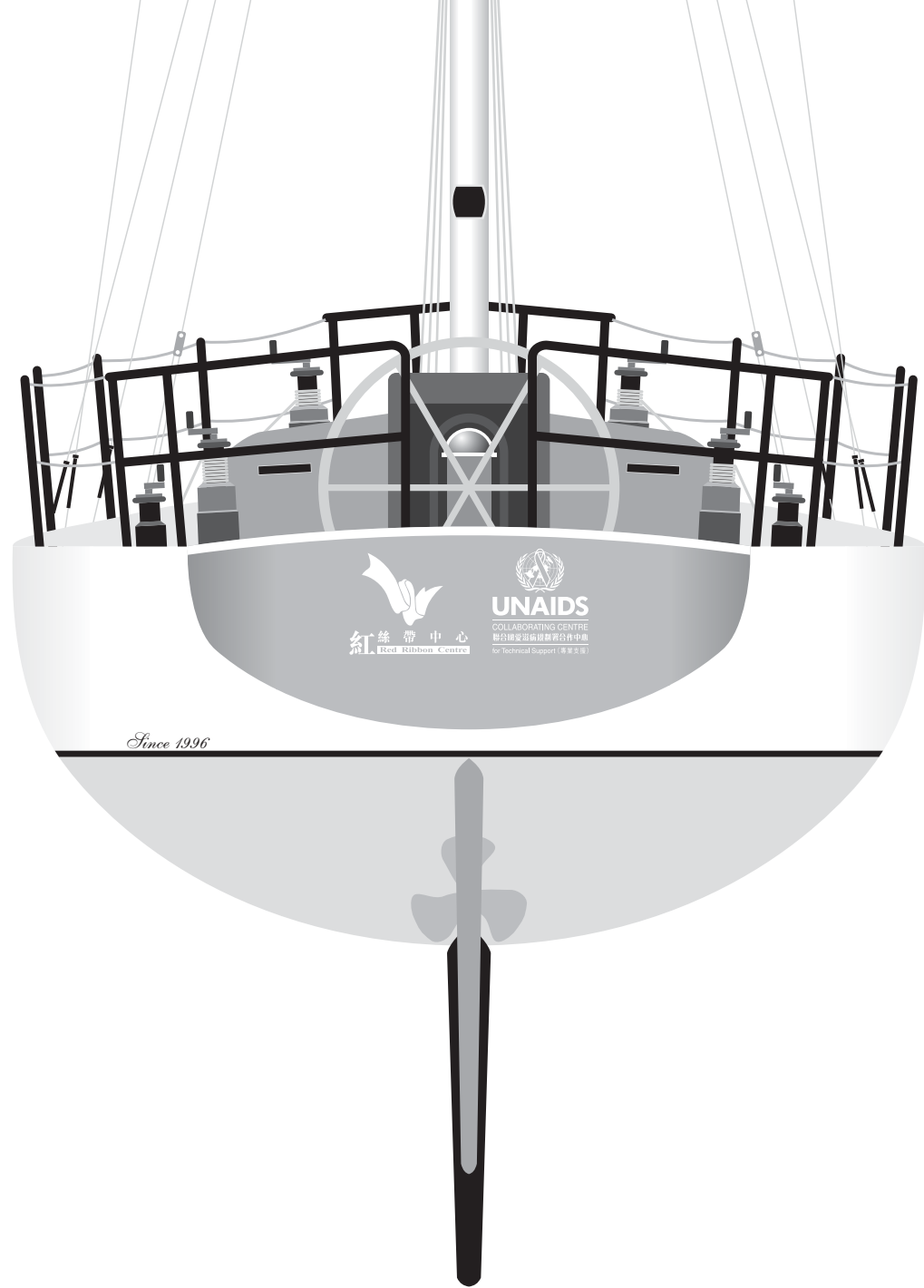
## Historical Background

Efforts on HIV prevention can be traced back to the year 1985, when the first case of AIDS was reported in Hong Kong. In the same year, an AIDS counselling clinic was established by the then Medical and Health Department of the Hong Kong Government. Health advice, counselling and HIV testing were offered to clients who were concerned about their HIV status. In 1987, the clinic was expanded to form the AIDS Counselling and Health Education Service (ACHES) and the Special Medical Consultation Clinic (SMCC). It ran the AIDS Hotline, the HIV clinic, and provided operational support to the Department's Committee on Education and Publicity on AIDS.

Following the restructuring of the Government's medical and health services, the Special Preventive Programme (SPP) was reconstituted in 1991. The HIV clinical and public health services have since been led by the Consultant (SPP). In 1994, SPP was expanded and relocated to the Yaumatei premise, which housed both the clinical and public health arms of the Programme.

The plan of setting up a HIV resource and education centre was drawn up by SPP, with the primary objective of facilitating community participation and response to AIDS. With the support of the Council for The AIDS Trust Fund, an old maternity home at Wang Tau Hom Jockey Club Clinic was converted into an AIDS education, resource and research centre, which was aptly named the Red Ribbon Centre (RRC). For some time, red ribbon has been portrayed as the international symbol of HIV and AIDS awareness.





## Red Ribbon Centre - UNAIDS Collaborating Centre for Technical Support

Red Ribbon Centre has since been the operational base of SPP's HIV Prevention and Health Promotion Team in the Department of Health. The Centre had its soft opening in December 1996, and was formally declared open by the Honorable Christopher Patten, the last governor of Hong Kong in May 1997. Its mission was rightly "To facilitate and enhance the community's response to HIV/AIDS".

Red Ribbon Centre is headed by a director, who is the consultant and head of SPP. The Patron of the centre is the wife of the Chief Executive of the Hong Kong Special Administrative Region or the wife of Governor of Hong Kong Government before 1997. The day-to-day operation of the Centre is organised by the SPP's HIV Prevention and Health Promotion Team comprising a medical doctor, public health nurse in-charge, a team of public health nurses, an executive officer, administrative and clerical staff. Appointed by the Director of Health, the Red Ribbon Centre Management Advisory Committee advises on the operation of Red Ribbon Centre as well as its strategic planning, implementation and evaluation of HIV prevention activities. The membership of the Red Ribbon Centre Management Advisory Committee comprises community leaders, academics and professionals from various sectors of the society.

In 1998, the Hong Kong Advisory Council on AIDS conducted a review on the AIDS programme and situation in Hong Kong. The review process alerted AIDS programme operators of the international responsibility that Hong Kong should play in the fight against the global AIDS epidemic. On 8 May 1998, Dr. Peter Piot, Executive Director of the Joint United Nations Programme on HIV/AIDS (UNAIDS), visited Red Ribbon Centre. The continued dialogue between UNAIDS and Red Ribbon Centre finally resulted in the designation of the Centre as an UNAIDS Collaborating Centre for Technical Support in the same year.

The terms of collaboration were recently renewed and extended for another three years in 2005 to cultivate and promulgate excellence in health promotion for HIV prevention. Facing an ever increasing need of HIV educational effort in the community and a greater demand for capacity building programmes in the region, the Red Ribbon Centre started its renovation work and extension project in 2003. Due for completion in June 2005, the centre will be able to host larger events and accommodate a greater number of participants at any one time.



## Terms of Collaboration and Organisation

The Red Ribbon Centre - UNAIDS Collaborating Centre for Technical Support (UCT) is managed as a programme of the Red Ribbon Centre. As agreed between Department of Health and UNAIDS, UCT is committed to:

(a) collaborate in the following fields -

- promote best practice in health promotion to achieve HIV prevention and care;
- expand regional responses to HIV/AIDS epidemic through capacity building; and
- enhance resource networking in the region

(b) engage in the following activities -

- strengthen capacities for an expanded response to HIV/AIDS in Hong Kong and in the region, by facilitating conduction of consultancies, reference services, training, planning, evaluation, exchanges and other supports, as needed;
- identify, develop, adapt and disseminate best practices in line with strategies formulated by UNAIDS;
- participate in UNAIDS-sponsored meetings, assist in their organisation, and engage in other advocacy-related activities towards the common goal of HIV/AIDS prevention and care;
- provide technical support, coordinate and participate in technical resource networks established by UNAIDS, and in close collaboration with other institutions involved in the response in the region; and
- promote, support and implement relevant studies and disseminate and apply results of such studies in collaborative research projects with UNAIDS.



## Activity Profile and Programme Framework

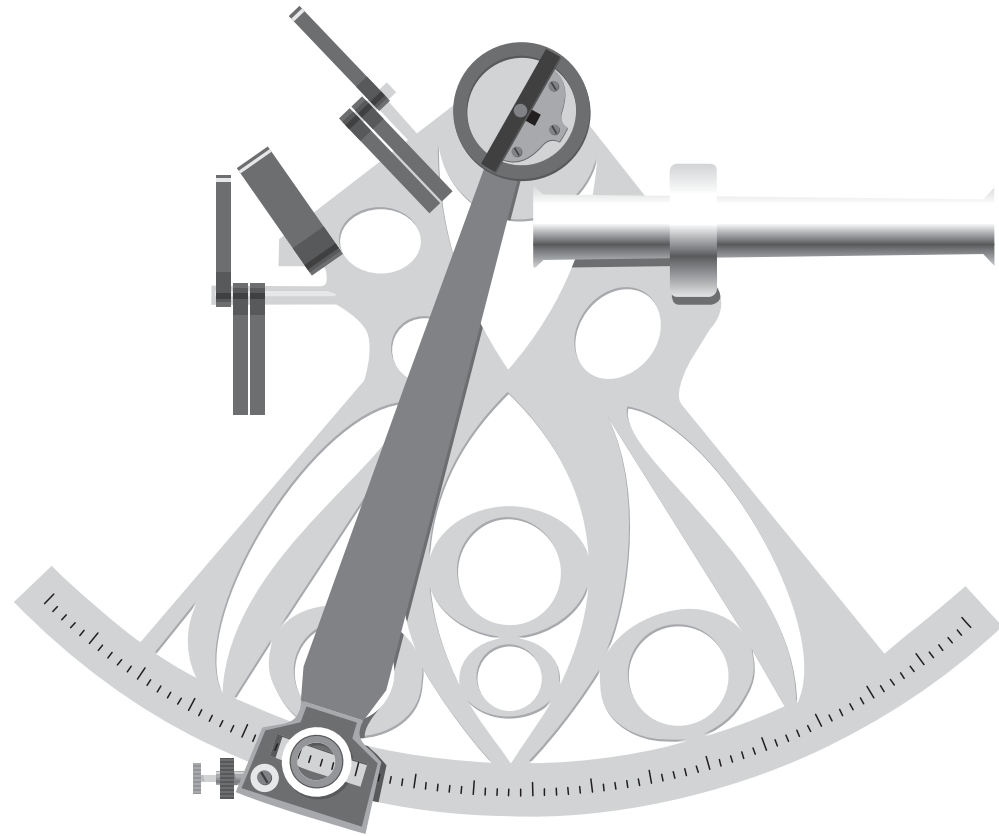
The Terms of Collaboration encompasses the following five categories of activities:

- (a) Capacity building
- (b) Best practice development
- (c) Participation in UNAIDS activities
- (d) Technical resource networking
- (e) Research studies

The Red Ribbon Centre, through the guidance of the RRC Management Advisory Committee, has considered capacity building as the most appropriate framework for interfacing Mainland China effectively. The main formats of these activities are: (a) fellowship programme; (b) participation in consultancies, (c) workshops, (d) training courses, and (e) technical forums.



## Lions-Red Ribbon Fellowship Scheme



The Lions-Red Ribbon Fellowship is an individual-level professional attachment programme designed by UCT and sponsored by the Lions Clubs International District 303 Hong Kong and Macau. Since 1999, applications were received from AIDS workers from Mainland China to undertake attachments lasting for a period of two to four weeks in Hong Kong. In 2003, the quota of successful applicants was raised to 12. During the attachment, the Lions-Red Ribbon Fellows had the opportunity to engage in study tours, visits and exchange activities in their fields of expertise relating to HIV prevention and care. The fellows were also invited to conduct a seminar with local AIDS workers in Hong Kong, and were required to submit a report of their work to the UCT upon completion of their fellowship scheme.

Six units, consist of 1 to 2 individuals, are sponsored to join the scheme every year. As of the end of the year 2005, a total of 37 fellows visited Hong Kong to attend the attachment programme, the specificities of which are listed in the Annex. It was observed that the background of applicants was changing over the years. A composite report ("Lions Red Ribbon Fellowship Scheme" Fellows' reports 1999-2002) was published to describe the work of the fellows of 1999 to 2002. Apart from our interactions with AIDS workers in Mainland China, the fellowship scheme also provided a platform for exchange of views and sharing best practice in HIV prevention among Mainland workers themselves. A website of this fellowship scheme <http://www.info.gov.hk/aids/rrc/english/rrlions.htm> was set up in 2005 to facilitate communication between the fellows and other interested AIDS workers in Mainland China.



## Consultancies and Official Meetings

Public health experts from Red Ribbon Centre have joined as consultants to provide technical support to HIV prevention and care programmes in Mainland China and other parts of the world. The centre also sent its representatives to participate in the deliberation of various issues on HIV/AIDS in the meetings of the United Nations.

UCT participated in forums relating to the new Global Fund to Fight AIDS, TB and Malaria (GFATM) in 2002. The Fund has, in the last year, become an important source of financial support for establishing sustainable programmes on HIV/AIDS prevention and care in resource poor countries.

UCT actively participated in regional meetings on the control of communicable diseases in Mainland China, with special relevance to the Pearl River Delta region. Expert from the Guangdong province, Macau and Hong Kong formed "The Expert Group on the Prevention and Treatment of Communicable Diseases" in response to the communication gaps identified during the SARS outbreak in 2003. One of the resolutions of the group was to introduce programmes on capacity building in HIV prevention and control. In 2005, an electronic HIV epidemiology platform was launched to facilitate the exchange of HIV prevalence information and data in the participating 12 cities from within the Pearl River Delta region.

The participation in International AIDS Conference (IAC) and International Congress on AIDS in Asia and the Pacific (ICAAP) were always one of the main highlights of the work of UCT. UCT staff presented our experiences in conducting HIV prevention programmes. In 2004, UCT arranged the screening of 2 Announcements in the Public Interest (API) during the IAC in Bangkok and the film "Love under the Sun" at 2004 AIDS Film Festival.



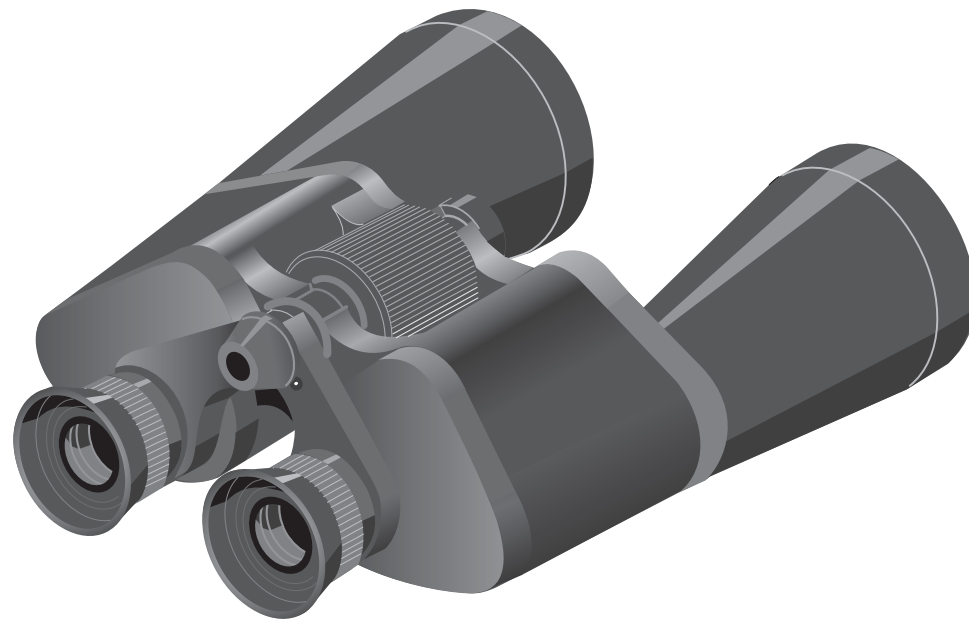


## Technical Forums: Workshops and Visits

Workshops are specially designed training programmes organised under the auspices of the UCT. These were normally three to five day programmes developed upon request of the public or other agencies to facilitate the development of policy on HIV prevention, care and control. Until the end of 2005, UCT held a total of 21 workshops.

In collaboration with the University of Hong Kong, UCT was engaged in a continuous study to better understand the HIV epidemiology in the Pearl River Delta region. The First and Second Workshops on HIV Surveillance and Epidemiology in the Pearl River Delta Region were held in December 1998 and June 2000 respectively, with the participation of public health experts from 12 cities in the region. These activities consolidated the network of health professionals in HIV and behavioural surveillance. The third workshop was organised by UCT in the collaboration with the Centre for Disease Control and Prevention of Guangdong and Shenzhen in November 2002. The proceedings of the three meetings were published to record the events and disseminate the findings. These meetings provided solid groundwork for the setting up of the the electronic HIV epidemiology platform in the region.

The Centre also regularly received requests of half-day or one-day visits from overseas agencies. As at the end of 2005, the Centre handled a total of 151 visits involving some 1479 visitors from around the world. The majority of our visitors were from Mainland China. With a rising interest in HIV prevention in injecting drug users in neighbouring countries and cities, a significant proportion of our recent visitors came to learn about the HIV prevention activities on injecting drug users at Red Ribbon Centre and the territory's methadone clinics.



## Training Courses

The Red Ribbon Centre has been focusing on the building of capacity in its development of programmes on HIV prevention. The organisation of training courses is in line with the terms of collaboration drawn up between Red Ribbon Centre and UNAIDS. The objective of introducing structured training is to systematize capacity building activities on HIV prevention and care. Over the past fifteen years, SPP acquired technical expertise in the HIV prevention, which will greatly facilitate the Red Ribbon Centre to develop and organise training modules relevant to Hong Kong and its neighbouring cities. In the design of these courses, the following strategies are proposed:

- (a) observance of the prevention and care continuum, a model that has been adopted for a long time in Hong Kong
- (b) integration with related disciplines and specialties in clinical science and public health, for example, infection control, clinical infectious diseases and health promotion etc; and
- (c) collaboration with other expert agencies in Hong Kong and the region, including clinical services, universities and community-based organisations.

In 2003, the Training Workshop on Methadone Treatment for HIV Prevention was organised in collaboration with the UN Regional Task Force on Drugs Use and HIV Vulnerability, UNAIDS South East Asia and Pacific Intercountry Team, WHO Regional Office for the Western Pacific and the UNDCP Regional Centre for East Asia and the Pacific. This was a three-day interactive training programme for participants who were involved (or to be involved) in the development of methadone substitution treatment in priority countries including China, Indonesia, Nepal and India. The workshop was originally scheduled to be held from 2-4 April 2003 in Hong Kong, but was subsequently postponed to 22-24 October of the same year because of the outbreak of SARS.

The three-day event was a success. There were 82 registered participants from outside Hong Kong and 17 local observers. Fifty participants came from different parts of Mainland China. A total of 12 state-of-art presentations were delivered by faculties from Hong Kong and overseas, including plenary lectures from Dr Robert Newman (New York) and Dr Andrew Byrne (Sydney). The training also featured 2 panel sessions, one tutorial, and visits to methadone clinics and Red Ribbon Centre. An evaluation report was published and could be accessed on the following website: [www.harmreduction-hk.com](http://www.harmreduction-hk.com)



With the escalating demand from agencies and technical professionals, short-term fellowships for health professionals were offered, with an emphasis on vocationalism since 2005. The aim of the training arrangement was to promulgate best practices that were established through experience and system development. Fellowship training programmes were structured under five categories:

- (a) Fellowship in Voluntary Counselling and Testing (VCT)
- (b) Fellowship in Clinical HIV Nursing
- (c) Full-time Medical Fellowship in HIV treatment
- (d) Part-time Medical Fellowship in HIV treatment
- (e) Lions-Red Ribbon Fellowship

Other than Lions-Red Ribbon Fellowship, all the programmes were newly developed. Each of the programmes was designed to last from one week to three months. Fellows will undertake the training attachment in one or more of the following formats including an attachment as an observer, work experience under supervision, tutorials conducted by staff specialists, visits to relevant services or organisations and guided self-studies. A full-time Medical Fellowship in HIV treatment and Fellowships in Clinical HIV Nursing were offered to a medical doctor and 3 nurses from Mainland China and Macau in 2005.

Red Ribbon Centre also offered training and development opportunities for potential AIDS workers in the form of internships. During the summer of 2005, 2 university students, from Yale University in the United States and the Chinese University of Hong Kong, assisted with the construction of UNAIDS core indicators and the evaluation of an outreach project targeting commercial sex workers and their clients. It was an ideal opportunity for students to explore on social issues related to HIV/AIDS and understand the importance of promoting acceptance in the society.



## Best Practice Development

There are three levels of activities relating to best practice development. Firstly, best practice documents received from UNAIDS were kept in the Centre's library for easy reference and access by local AIDS workers. Whereas appropriate, these useful documents are also distributed to AIDS service organisations and AIDS-related agencies in Hong Kong. Secondly, a series of model prevention programmes in Hong Kong were identified and published in the yearbook series of Red Ribbon Centre. Thirdly, the Centre has been working closely with other agencies in the identification of best practices of local and international importance. In 2005, a corner has been established in the website of Red Ribbon Centre to maintain a collection of projects and reports describing and evaluating HIV prevention programmes.



## UNAIDS Celebrity Against AIDS

In 1999, UCT responded to UNAIDS's call for an expanded advocacy role in HIV prevention and care through the appointment of celebrity as ambassador. Miss Miriam Yeung, a famous local pop singer was appointed as the UNAIDS Hong Kong Ambassador to help spread the AIDS prevention message. The initiative has recently been renamed "Celebrity Against AIDS".

Over the past few years, she has been working tirelessly in a wide range of AIDS prevention activities in Hong Kong. She participated in youth activities to appeal for a better HIV awareness in the community as well as promoting acceptance of people living with HIV/AIDS. These activities included mini-concerts, youth parties and fun gatherings in Hong Kong. She also joined patient support group activities with people living with HIV/AIDS. A song "Positive Response" was dedicated to AIDS, and the production of a VCD for distribution in Hong Kong and Mainland China. She featured in a media campaign on HIV prevention - Titled "Safety Seven". The Campaign lasted for seven weeks with short radio drama broadcasted on webpage, together with parallel advertisement in the printed media and the public transport system.

In late 2001, Miriam appeared in a public performance in Beijing to promote AIDS awareness in China. She also actively participated in a large-scaled harm reduction media campaign to promote the use of methadone and the launching of the Dr Sex Hotline website, which was an interactive means of providing sex education for young people in 2002.

On World AIDS Day 2003, Miriam Yeung appeared at the launching of the Sexedonline ([www.sexedonline.tv](http://www.sexedonline.tv)), which was a transformation from the previous Dr Sex Hotline project. The programme was jointly developed by Red Ribbon Centre and Radio Television Hong Kong (RTHK). Miriam Yeung was voted as one of the most memorable persons in the AIDS response by the public in the '0.2 Twenty Years of AIDS in Hong Kong and she duly appeared in the celebrity event for World AIDS Day 2004 named - 'Sharing the stories of the "Most Inspiring Persons" cum Posters and News Archives Exhibition Kick-off Ceremony'.

In 2005, Miriam took part in the territory-wide Safer Sex Media Campaign to promote proper use of condom to prevent HIV and Sexually Transmitted Infections. With years of endeavours in HIV prevention education and promoting acceptance to people living with HIV/AIDS, Miriam Yeung was selected as one of the Ten Outstanding Young Persons of 2005, a well-recognised award in Hong Kong.



## Hong Kong - Mainland Media Campaign

After years of hard work and tactful negotiations, a joint media campaign was launched in 2003 involving collaborative partners in Hong Kong and Mainland China. Technical support was provided by Red Ribbon Centre, RTHK and National Institute of Health Education (NIHE) of CDC China. The project involved the production of a short movie to promote public awareness on AIDS, featuring 38 Chinese artists. The project was launched at a concert in Beijing on 27 November 2003, and the production of a theme song 'Tong Xing' by singers Mr. Andy Lau and Miss Sammi Cheng. The launching was a huge success with a full house at the Beijing Capital Stadium. A number of spin-off activities followed:

- (a) Production of VCDs of the movie and the launching in Hong Kong and Mainland China;
- (b) Launching of a new project to support community based activities 'Tong Xing' Project and to reward participants with the VCDs;
- (c) Premiere for sharing with local AIDS workers;
- (d) Screening at the Hong Kong International Film Festival in April 2004;
- (e) Screening of a two-episode programme on the initiative on TVB Jade in December 2003;
- (f) Production of abridged versions for screening on public transport; and
- (g) Adaptation into TV spots (announcement of public interest, or API) for screening from early 2004.



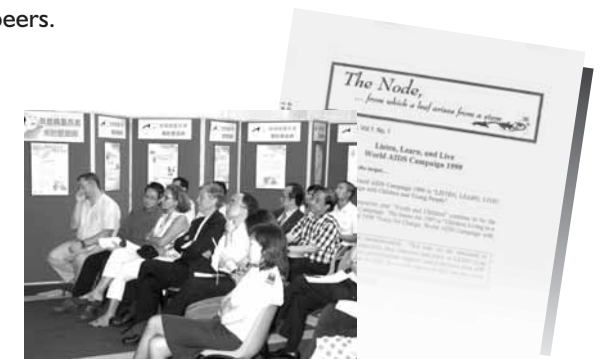
## Technical Resource Networking

Red Ribbon Centre operates a resource centre rich in its production and collection of education materials in Chinese (and English). These include posters, leaflets, comic books and other educational materials developed by the SPP's HIV Prevention and Health Promotion Team. The Centre also functions as the publisher of HIV resource materials on clinical services, policy development, surveillance and research. Policy guidance, technical guidelines, medical and nursing manuals are therefore the other categories of resource materials produced through Red Ribbon Centre.

As the "international arm" of Red Ribbon Centre, UCT has been communicating actively with partner agencies around the world to support activities in other countries through our distribution network of resource materials for reference purposes. Every month, around 200 sets of newly produced materials (including leaflets, posters, videos, periodicals) are regularly distributed to all Mainland provinces through the UNAIDS China Office in Beijing and UNDP China.

Since March 1999, a periodical "The Node" has been published regularly to update on the activities of the UCT programme. 21 issues have been published as at the end of the year 2005.

Eleven Hong Kong-based NGOs have focused on the HIV situation and programme in Mainland China and neighbouring countries. They worked in different parts of China and provided different kinds of service, ranging from community development to HIV treatment. Since 2004, representatives of these NGOs working in Mainland China and neighbouring countries shared their experience in conducting HIV prevention and care projects at Red Ribbon Centre on an annual basis. This function has helped coordinate and consolidate the technical exchange network of community workers in HIV prevention and care in Mainland China. A column at "The Node" was also reserved for members to share their views and latest progress on their projects with their peers.



## Annex A: Memberships of Red Ribbon Centre Management Advisory Committee



### **Terms of Reference**

To advise on the effective running of the Red Ribbon Centre

### **(1999-2003)**

#### **Chairman**

Rev CHU Yiu Ming

#### **Members**

Mr CHEUNG Che Kwok

Mr Billy HO

Mr LO Chiu Fai

Mr Tony PANG

Dr Dennis WONG

Dr Samuel YU

Consultant (Special Preventive Programme), Department of Health

#### **Secretary**

Executive Officer, Red Ribbon Centre

### **(2003-2006)**

#### **Chairman**

Rev CHU Yiu Ming

#### **Vice-chairman**

Dr Samuel YU

#### **Members**

Mr Billy HO

Mr LO Chiu Fai

Mr Tony PANG

Dr Dennis WONG

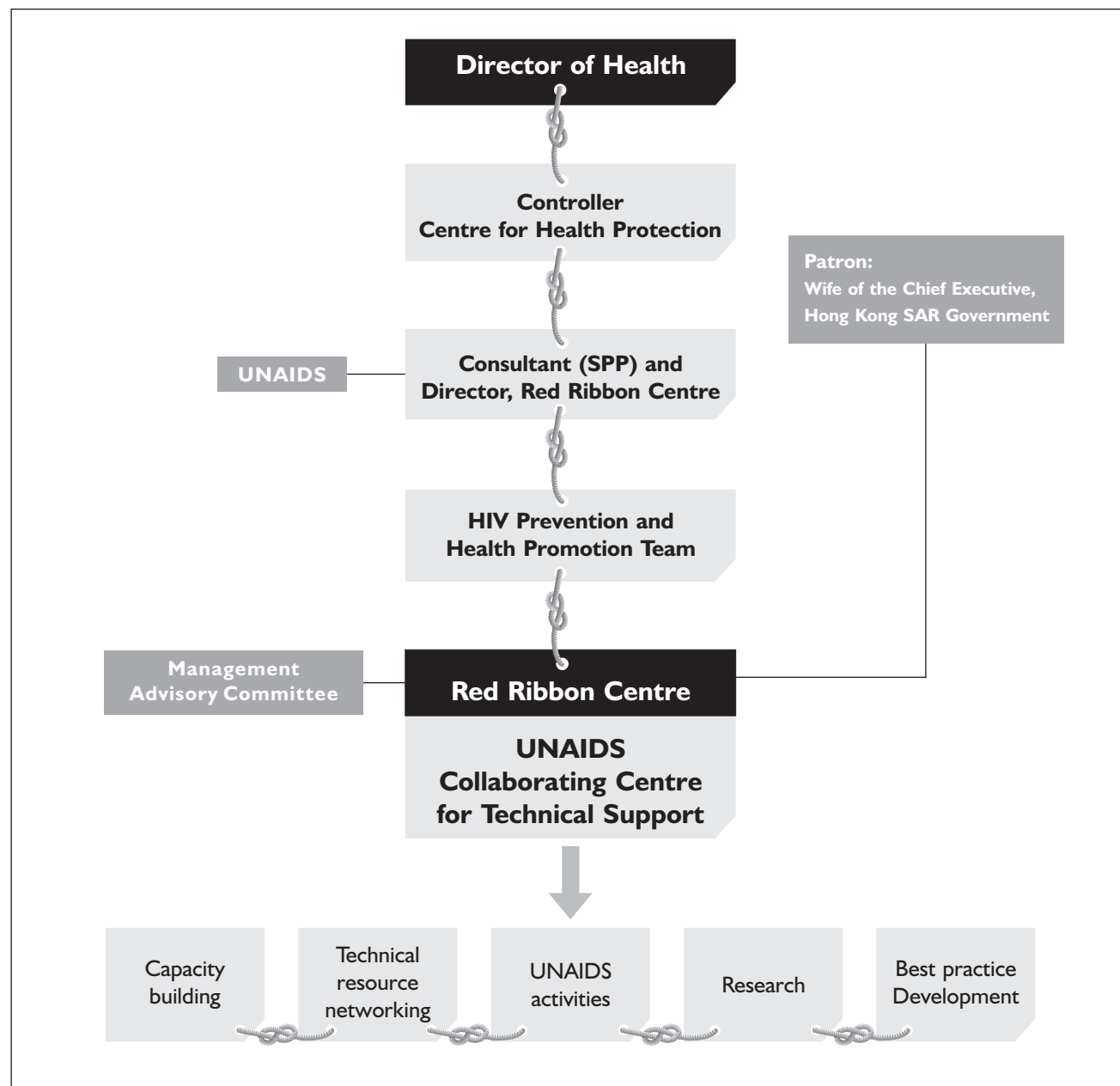
Consultant (Special Preventive Programme), Department of Health

#### **Secretary**

Executive Officer, Red Ribbon Centre



## Annex B: Organisation of Red Ribbon Centre - UNAIDS Collaborating Centre for Technical Support



## Annex C: List of Lions-Red Ribbon Fellows, 1999-2005

NAME OF FELLOW	AFFILIATION	FELLOWSHIP PERIOD	ASSIGNMENT
Dr SHAN Guangnai	Senior Fellow, Chinese Academy of Social Science, BEIJING	8 Mar - 21 Apr 1999	Research on prostitution in Hong Kong
Dr WANG Quanyi	Lecturer, Peking Union Medical College, BEIJING	9 - 22 Oct 2000	Study of counselling for and support to people living with HIV/AIDS
Ms ZHAO Chengzheng	Associate professor, National Institute of Drug Dependence, BEIJING	1 - 13 Dec 2000	Study of counselling for and support to people living with HIV/AIDS
Dr LIU Wei	Director, Centre for HIV/AIDS Prevention & Control, GUANGXI	16 - 21 Feb 2001, and 1 Mar 2002	Study of the Hong Kong experience in HIV prevention and control
Dr GAN Zhigao	Director, Department of Disease Control of Antiepidemic Station, Liuzhou, GUANGX	17 - 30 Jul 2001	Study of the Hong Kong experience in HIV prevention and health promotion in drug users
Dr REN Xiaohui	Lecturer, Cheng Du West China University of Medical Science, SICHUAN	30 Aug - 13 Sep 2001	Study of the HIV prevention and intervention in women
Dr CHEN Jie	Deputy Director, Centre for Disease Control and Prevention, GUANGXI	26 Sep - 3 Oct 2001, and 15 Feb - 1 Mar 2002	Study of the Hong Kong experience in the application of methadone intervention for HIV prevention in drug users
Dr ZHU Min	Programme Adviser, Provincial Education Commission, YUNNAN	14 - 27 Oct 2001	Sharing of Hong Kong and Yunnan experience in HIV education for youth and schools
Dr CHEN Zhongdan	Director, Wuhan Anti-epidemic Station, HEBEI	10 - 23 Oct 2001	Study of the means of peer education for HIV prevention
Dr GONG Yuhan	Chief Physician, Centre of AIDS/STD Control & Prevention, Liangshan CDC, SICHUAN	16 - 26 Jul 2002	Study on the Hong Kong experience in HIV prevention, care and control
Dr YANG Jun	Physician, Qiao Kou District Anti-epidemic Station, Wuhan, HEBEI	20 Aug - 2 Sep 2002	Development of effective outreach programmes



NAME OF FELLOW	AFFILIATION	FELLOWSHIP PERIOD	ASSIGNMENT
Dr HU Feiyue	Deputy Director, Division of Policy Study & Information, National Center for AIDS/STD Control & Prevention, BEIJING	2 - 15 Sep 2002	Study on HIV policy development in Hong Kong
Ms SONG Jingling	Associate Professor, School-based Health Education Programme Office, Kunming, YUNNAN	2 - 15 Sep 2002	Study on HIV prevention, health promotion and behavioural interventions in tertiary students
Dr LI Hong	Medical Officer, Provincial Anti-epidemic Station, HENAN	9 - 20 Sep 2002	Study on HIV screening, laboratory testing and HIV counselling in Hong Kong
CHENG Yimin	Associate Professor, Department of Social Sciences & Epidemiology, National Research Institute for Family Planning, BEIJING	17 - 29 Nov 2002	Study on methods for promoting condom use in female sex workers and clients
Dr HU Xiaoyun	Vice Director of Hubei Provincial Health Education Institute	18 - 30 Aug 2003	Study on Safe injection in Hong Kong
Dr CAO G.H.	Director, Henan Province Shang Cai County Anti-Epidemic Station	21 - 31 Aug 2003	Social Support to people living with HIV/AIDS Comparison between Hong Kong and Mainland China
Mr GAO Yanning	Associate Professor, Department of Maternal and Child Health, School of Public Health, Fudan University	21 - 31 Aug 2003	Social Support to people living with HIV/AIDS Comparison between Hong Kong and Mainland China
Dr MEI Lin	Assistant Director of Taiyuan Centers for Diseases Control and Prevention	13 - 25 Oct 2003	Study on Voluntary Counselling and Testing in Hong Kong
Dr ZHANG Shuhuan	Minister, Henan Red Cross Society Organisation and Training Development	10 - 22 Nov 2003	Study on AIDS and sex education in young population
Ms MAO Jinglan	Deputy Secretary-general, Zhumadian Red Cross Society	10 - 22 Nov 2003	Study on AIDS and sex education in young population

NAME OF FELLOW	AFFILIATION	FELLOWSHIP PERIOD	ASSIGNMENT
Dr XI Canghai	Director, Gansu Provincial CDC	10 - 22 Nov 2003	Study on STI/AIDS surveillance methods and HIV prevention in drug users
Dr WANG Jian	Deputy Director, Gansu Provincial CDC	10 - 22 Nov 2003	Study on STI/AIDS surveillance methods and HIV prevention in drug users
Miss HE Hui-lin	Center Manager, The Salvation Army/Yunnan Red Cross "HomeAIDS" HIV/AIDS Consultation and Service Centre	16 - 27 Aug 2004	Study on the care and support to people living with HIV/AIDS and their families
Dr YANG Xin-ping	Physician, Kunming Infectious Disease Hospital	16 - 27 Aug 2004	Compare the treatment of HIV infection and opportunistic infections in Hong Kong and Kunming. Study on the counselling in patient with HIV.
Dr LI Zheng-min	Professor, National Tuberculosis, Prevention, Treatment and Clinical center of China CDC	6 - 17 Sep 2004	Study on the prevention and treatment of tuberculosis in HIV/AIDS patients
Dr ZHENG Su-hua	Chief Physician, Beijing Tuberculosis and Thoracic Tumor Research Institute	6 - 17 Sep 2004	Study on the prevention and treatment of tuberculosis in HIV/AIDS patients
Dr LIU Zhong-hua	Deputy Director, Shandong Center for Disease Control and Prevention	20 Sep - Oct 2004	Study on preventive intervention and health promotion
Dr WANG Xiao-hui, Jim	Physician, Shenzhen Municipal Center of Disease Control and Prevention	20 Sep - 1 Oct 2004	Study on the Harm Reduction and methadone programme in Hong Kong
Dr LI Xiu-fang	Associate Professor, The Sex Health Center of the Affiliated Hospital of Qingdao Medical College, Qingdao University	22 Nov - 3 Dec 2004	Study on preventive measure targeting commercial sex workers
Dr TAN Cong	Program Coordinator, Beijing Office of Future Group Europe	15 - 25 Aug 2005	Study the operation of NGO in HIV prevention



## Annex D: Consultancies conducted through the UNAIDS Collaborating Centre for Technical Support programme, 1999 - 2005

NAME OF FELLOW	AFFILIATION	FELLOWSHIP PERIOD	ASSIGNMENT
Ms Sharon ZHONG	Program Coordinator, Future Group Europe Chengdu Office	15 - 25 Aug 2005	Learn the practice of NGOs in Hong Kong
Dr TAN Jingguang	Doctor, Shenzhen Centre for Disease Control and Prevention	20 - 30 Sep 2005	Study the HIV preventive interventions in MSM
Dr WU Guoxian	Physician in-charge, Henan Shenqiu Centre for Disease Control and Prevention	7 - 18 Nov 2005	Study the Hong Kong's experience in support and care programme for people living with HIV/AIDS and their family
Dr XIN Tianyi	Public Health Physician, Henan Shenqiu Centre for Disease Control and Prevention	7 - 18 Nov 2005	Study the Hong Kong's experience in support and care programme for people living with HIV/AIDS and their family
Dr Shi Shan	Principal of Methadone Clinic, Nanning Red Cross Hospital of Guangxi Zhuang Autonomy Region	21 Nov - 2 Dec 2005	Study the role of methadone programme, counselling and behavioural interventions for HIV prevention in injecting drug users
Ms Meng Xianrong	Vice Leader of the Drug Reconnaissance Section, Drug Reconnaissance Section of Nanning Public Security Bureau	21 Nov - 2 Dec 2005	Study the role of methadone programme, counselling and behavioural interventions for HIV prevention in injecting drug users

DATE	CONSULTANT(S) / TRAINER (S)	LOCATION	MISSION
22 - 24 Mar 1999	Ms Victoria KWONG & CHU Lai Wah	Dali, YUNNAN	Dali Medical College International Symposium on HIV/AIDS prevention, transmission, care and healthy living
20 - 22 Oct 1999	Dr SS LEE	GENEVA	International consultation on HIV/AIDS reporting and disclosure
19 - 28 Nov 1999	Dr KH WONG	HAINAN & GUANGXI	Evaluation of China AIDS Network STD/AIDS Prevention among women in the service industry
25 - 31 Aug 2000	Ms Elise CHU & Georgiana CHEUNG	INNER MONGOLIA	National Training Course on AIDS counselling and laboratory safety
4 - 9 Sep 2000	Dr SS LEE	Urumqi, XINJIANG	UNDCP project on assessment methodologies for non-captive groups and community-based interventions
19 - 20 Nov 2001	Dr SS LEE	GENEVA	Interim WHO ARV Treatment Working Group for the establishment of anti-retroviral guidelines in resource limited settings
4 - 8 Aug 2002	Dr SS LEE	BEIJING	Preparation for submission to the Global Fund to Fight AIDS, TB & Malaria (GFATM)
17 - 20 Sep 2002	Dr SS LEE & Ms Elsie CHU	Zhigui, HUBEI	WHO health promotion project development, focusing on the promotion of safe injection in health services and the community



## Annex E: Participation in UN meetings, 1999 - 2005

DATE	MEETING	LOCATION	PARTICIPANTS
22 Apr 1999	UNAIDS APICT Task Force on Drug Use and HIV Vulnerability meeting	Bangkok, THAILAND	Dr SS LEE (Task Force member)
26 Oct 1999	V International Congress on AIDS in Asia and the PacificUNAIDS Symposium: Mapping the Beat: Drug use and HIV vulnerability in Asia	Kuala Lumpur, MALAYSIA	Dr SS LEE (Speaker): Building the foundation for HIV prevention in drug users
3 Sep 2000	IX International Congress of World Federation of Public Health Associations UNAIDS symposium on HIV/AIDS	Beijing, CHINA	Dr SS LEE (speaker): The Red Ribbon Experience
18 Apr 2001	UN Theme Group on HIV/AIDS and Ministry of Health Joint Feedback Seminar on Strategic Planning for AIDS Prevention and Care	Nanning, Guangxi, CHINA	Dr SS LEE
23 - 25 Apr 2001	Ministerial Segment of UN ESCAP 57th Session - regional preparation for UNGASS	Bangkok, THAILAND	Dr SS LEE
2 - 4 May 2001	UN Regional Task Force on Drug Use and HIV Vulnerability meeting	Denpasar, INDONESIA	Dr SS LEE (Task Force member)
4 - 8 Jun 2001	UN ESCAP III Asia-pacific Intergovernmental Meeting on Human Resources Development for Youth (theme on HIV/AIDS)	Bangkok, THAILAND	Dr KH WONG
12 Jun 2001	World Bank Third Asian Development Forum Policy Seminar: the dual burden of HIV/AIDS and TB in the future economy	Bangkok, THAILAND	Dr SS LEE (speaker): the why's and how's of behaviour change
25 - 27 Jun 2001	United Nations General Assembly Special Session on HIV/AIDS	New York, USA	Dr SS LEE, Dr Margaret CHAN (Director of Health) in China delegation
7 - 9 Feb 2002	Asia Pacific Biregional Workshop on Global Fund to fight AIDS, TB and Malaria	Beijing, CHINA	Dr SS LEE
7 Jun 2002	Meeting of the UN Theme Group on HIV/AIDS in China	Beijing, CHINA	Dr SS LEE (presentation on the challenge of capacity building in HIV prevention and care)

DATE	MEETING	LOCATION	PARTICIPANTS
4 - 5 Jul 2002	Meeting of the Global Reference Group on HIV Prevention among Injecting Drug Users	Vienna, AUSTRIA	Dr SS LEE (as member)
12 - 13 Dec 2002	Meeting of the UN Regional Task Force on Drugs and HIV Vulnerability	Hanoi, VIETNAM	Dr SS LEE (as member)
11 - 13 Jun 2003	WHO Training Workshop on Methods for HIV/AIDS Estimation and Projections	Bangkok, THAILAND	Dr Michael CHAN (as participant)
15 - 18 Jul 2003	Meeting of the UN Regional Task Force on Drugs and HIV Vulnerability	Chiang Rai, THAILAND	Dr SS LEE (as member)
1 - 2 Sep 2003	Phase II Meeting of UNESCAP 59th Session	Bangkok, THAILAND	Dr Kenny CHAN
19 Apr 2004	2004 UN Regional Task Force on Drug Use and HIV Vulnerability	Melbourne, AUSTRALIA	Dr SS LEE (as member)
20 Apr 2004	WHO 3rd Bi-regional Partners Meeting	Melbourne, AUSTRALIA	Dr SS LEE (as participant)
25 - 27 Apr 2005	Training Workshop on Methods of HIV/AIDS Estimates and Projections	Bangkok, Thailand	Dr HO Lei-ming, Raymond, Senior Medical Officer
1-5 Jul 2005	7th International Congress on AIDS in Asia and the Pacific	Kobe, Japan	Dr WONG Ka-hing, Con (SPP) Dr Darwin MAK, MO Miss LAM Wai-lan, Ag. NO



## Annex F: Workshops for Delegates from Mainland China, 1999 - 2005

DATE	AGENCY	PARTICIPANTS
30 Nov - 4 Dec 1998	Various Ministries, BEIJING	8 professionals and administrators from the Ministries of Health and Civil Affairs, Bureau of Broadcast and TV Administration, Chinese academy of Preventive Medicine
1 - 4 Aug 2000	Ministry of Railway and Ministry of Health, BEIJING	9 professionals and administrators
27 - 29 Dec 2000	Guangzhou municipal government, GUANGDONG	19 professionals and administrators from the sectors of health, justice, planning, finance, publicity, and public security
15 - 18 Dec 2001	Fujian Health Department, FUJIAN	8 experts from the Fujian Health Bureau
8 - 10 Apr 2002	Jiangxi Health Department, JIANGXI	10 professionals and administrators from the sectors of health, public security, prison, education and publicity
14 - 16 May 2002	Jiangxi Health Department, JIANGXI	11 professionals and administrators from the sectors of health, public security, prison, education and publicity
28 - 30 Sep 2002	Institute of Health Education, National Center for AIDS/STD Control and Prevention, Chinese CDC, BEIJING	3 professionals in health promotion
6 - 10 Jan 2003	Yunnan Day Top IDU Treatment Centre, YUNNAN	2 project officers
25 - 28 Apr 2004	Guizhou Health Department, GUIZHOU	11 professionals and administrations from the sector of health, public security and drug administration
8 - 9 Jun 2004	Jiangmen / Taishan Health Department, JIANGMEN/TAISHAN	17 experts from the Jiangmen / Taishan Health Bureau
30 Jul - 7 Aug 2004	Hangzhou Health Department, HANGZHOU	1 health official
11 - 21 Oct 2004	Henan Provincial Health Bureau, HENAN	7 health officials
11 - 16 Aug 2005	World Vision, China	33 professionals and administrators
4 - 7 Sep 2005	China-UK HIV/AIDS Prevention and Care project SICHUAN and YUNNAN	3 project officers
7 - 9 Sep 2005	Hubei health Department HUBEI	17 health officials and administrators

## Annex G: Workshops for Delegates from overseas, 1999 - 2005

DATE	AGENCY	PARTICIPANTS
23 - 25 Sep 2002	Family Health International	Counselling Team of Bach Mai Hospital and representatives from National AIDS Bureau, Hanoi, VIETNAM
11 - 15 Nov 2002	Family Health International	Government Officials on HIV/IDU from NEPAL
22 Jan 2003	Salvation Army Korea	20 professionals from sectors of health and HIV/AIDS prevention and care
15 - 16 Sep 2003	Korean Alliance to Defeat AIDS	4 professionals and administrators in communicable diseases prevention and control
20 - 23 Dec 2004	Family Health International	17 government officials of health, public security and social affairs from VIETNAM and health professionals from FHI
15 - 17 Dec 2005	Malaysian MoH and UNICEF Malaysian Delegation	6 government officials , 2 representative of UNICEF Malaysia

## Annex H: Visits to the Red Ribbon Centre, 1999 - 2005

YEAR	Mainland		Other countries	
	No. of visits	Total visitors	No. of visits	Total visitors
1999	6	21	7	8
2000	11	72	6	10
2001	23	173	5	15
2002	23	230	6	31
2003	12	260	7	84
2004	32	518	6	40
2005	35	538	10	37
Total	110	1294	41	185



## Annex I: Activities of UNAIDS Celebrity Against AIDS Hong Kong , 1999 - 2005

DATE	EVENT
Nov 1999	Visit to Red Ribbon Centre
Dec 1999	Meeting with Dr Emile Fox, UNAIDS CPA China
	World AIDS Campaign "I Care" Party for youth
Feb 2000	"Youth Action on AIDS" Funding Scheme Prize Presentation Ceremony cum Exhibition
Mar 2000	Participation in patient support group
	Radio channel
May 2000	"Let us share, show our concern" Red Ribbon Centre Third Anniversary Publicity Function and Open Day
Jul 2000	Teen AIDS Walker 2000 Charity Walk
Oct 2000	Gathering with people living with HIV/AIDS
	Appeal to youth on "Positive Response" VCD
Dec 2000	World AIDS Campaign "Positive Response" Day
Feb - Apr 2001	Radio show "Safety Seven"
May 2001	"Building a Harmonious Community" Red Ribbon Centre Fourth Anniversary Publicity Function and Drawing Contest
Nov 2001	Fluttering Red Ribbon" Public Performance in Beijing
Dec 2001	World AIDS Day "We care 27802211.com" campaign
May 2002	Harm Reduction Media Campaign Launching Ceremony
Jun 2002	Walk Hand in Hand 2002 Charity Walk
Aug 2002	Dr Sex Hotline www.Dsonline.com.hk Soft Launching
Dec 2003	SexEdonline www.SexEdonline.tv Launching
Dec 2004	0.2 Twenty years of AIDS in Hong Kong - Sharing the stories of the "Most of Inspiring persons" cum posters and News Archives Exhibition kick off Ceremony
Sep 2005	Safer Sex Campaign 2005 Launching Ceremony



### CORRESPONDENCE

Address : 2nd Floor, 200 Junction Road East,  
Wang Tau Hom, Kowloon, Hong Kong

Telephone : (852) 2304 6268

Fax : (852) 2338 0534

E-mail : rrc@dh.gov.hk

Internet Site : <http://www.rrc-hk.com>